

Vector foosball table

Scope of delivery and assembly instructions

Main carton

- 1 pre-assembled carcass
- 2 anodized, welded leg frames
- 4 heavy-duty feet, black (Vector 3 and Pro, already screwed into the leg frame)

Accessory pack

- A - 12 Locking screws with nut and 8 drywall screws for leg frame
- B - 2 Ball insert trays with 6 with fixing screws
- C - 8 Play bars (2x2-hole, 4x3-hole, 2x5-hole)
- D - 8 Handles for the play bars
- E - 16 Rubber buffer
- F - 12 Black spacers
- G - 2 x 11 game pieces
- H - 4 Black set collars with screw and lock nut
- I - 25 Screws and nuts for game pieces (3 pieces spare)
- J - 2 Gate counter with a total of 4 fixing screws
- L - 2 Match balls
- M - 1 Care and lubricant for the bars

First unpack the carcass and place it on the floor with the underside facing upwards.

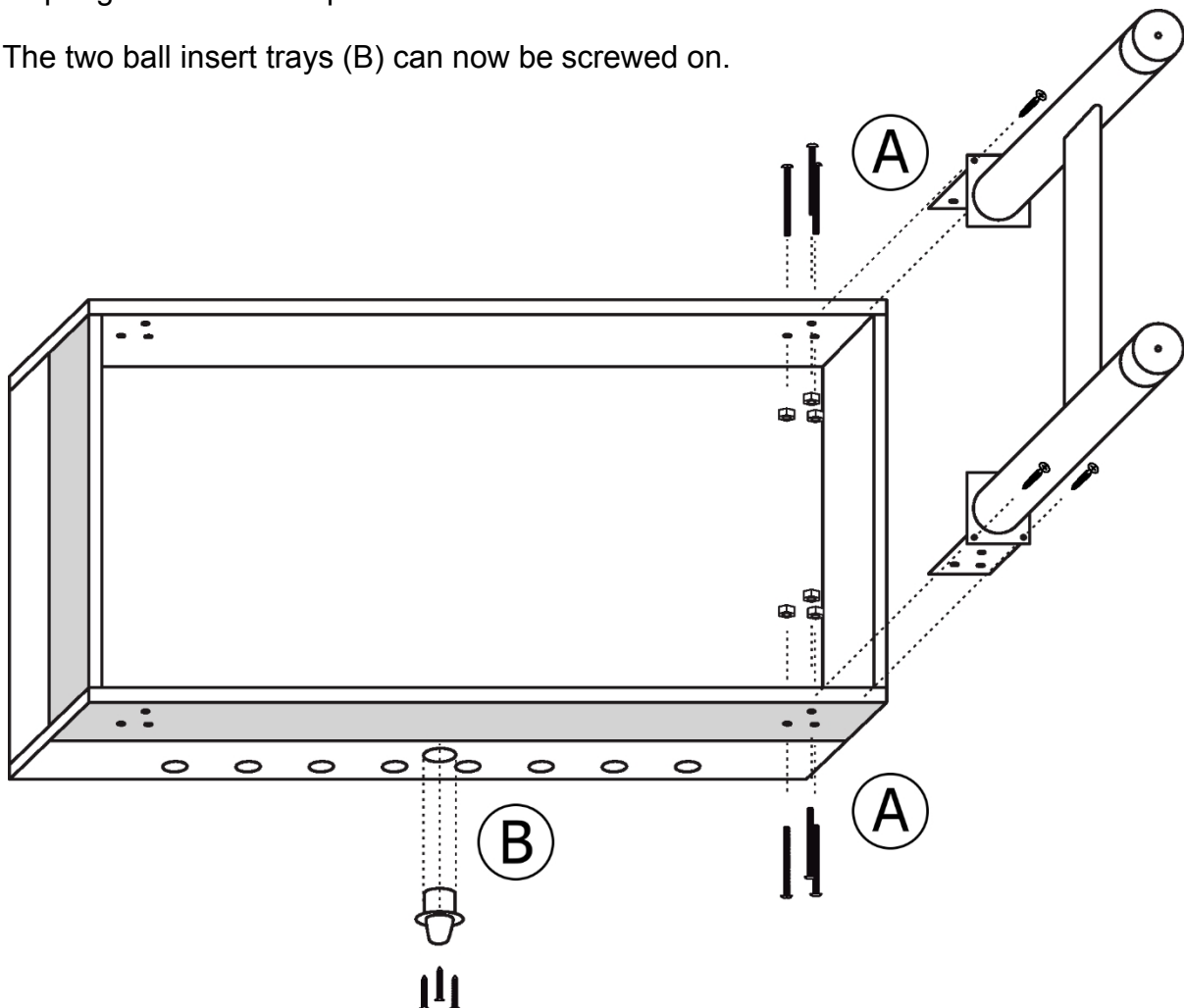
Place one leg frame in the assembly position as shown and insert the carriage bolts (A) from the outside. Initially, only tighten the nut very lightly.

The two leg frames are then fastened with the 8 quick-assembly screws (A). These screws can be screwed into the multilayer wood without pre-drilling.

Only now should you tighten the nuts on the leg screws, but not with all your strength, as otherwise the cap of the screw could press into the exterior decor.

Once the leg frame has been fitted, turn the table to the upright position. Carry out this step together with a helper.

The two ball insert trays (B) can now be screwed on.

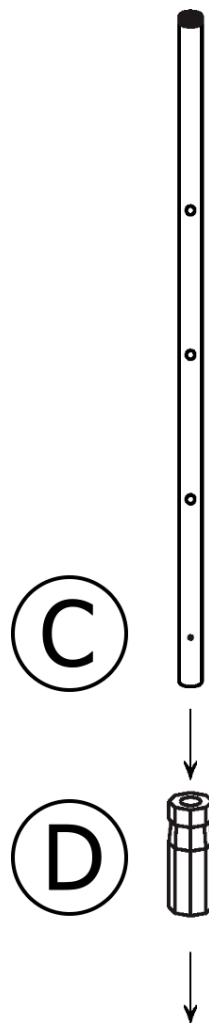


The handle is fitted before the bars are inserted. You will see a single drill hole at one end of each bar. This is the handle side of the bar.

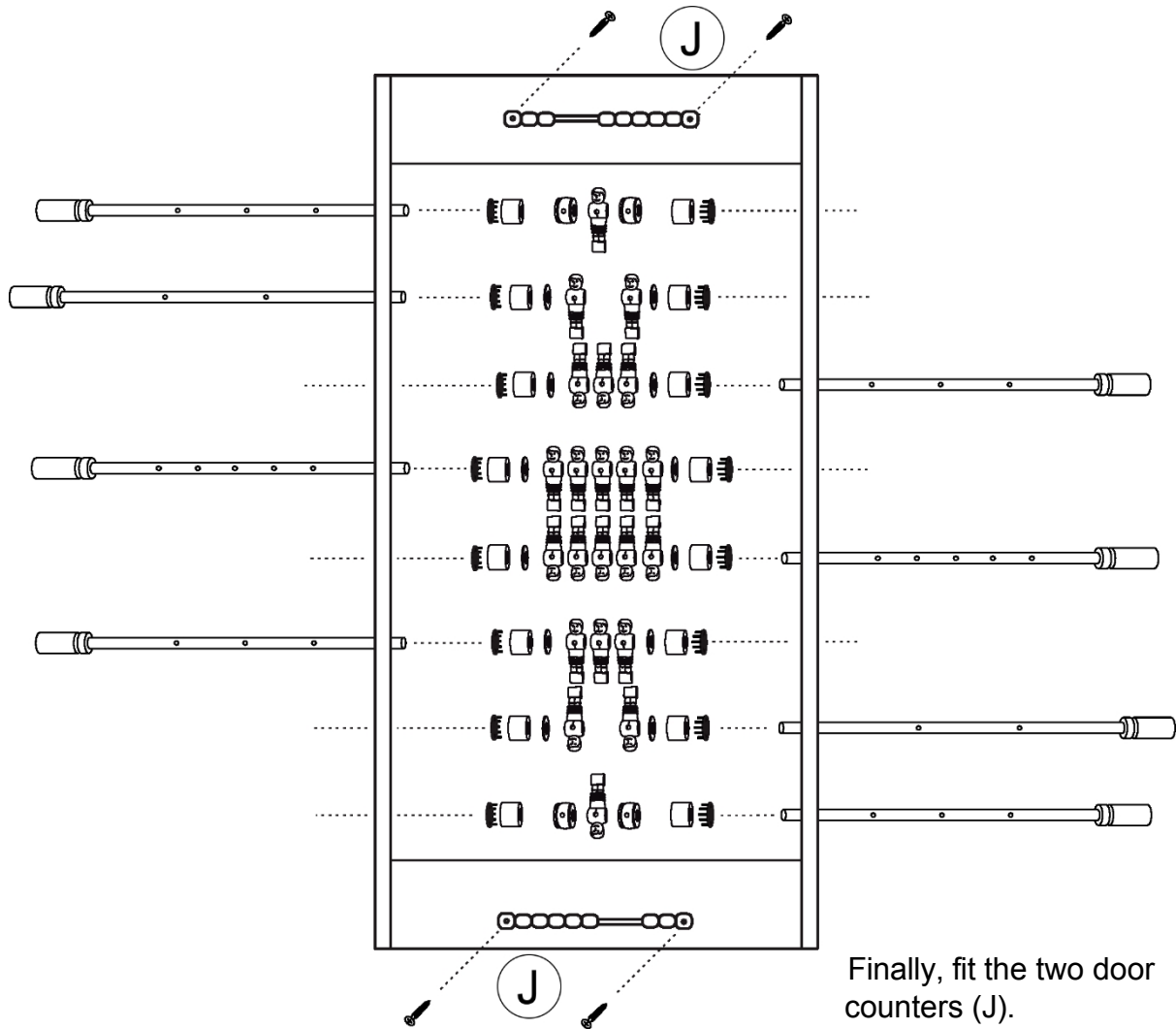
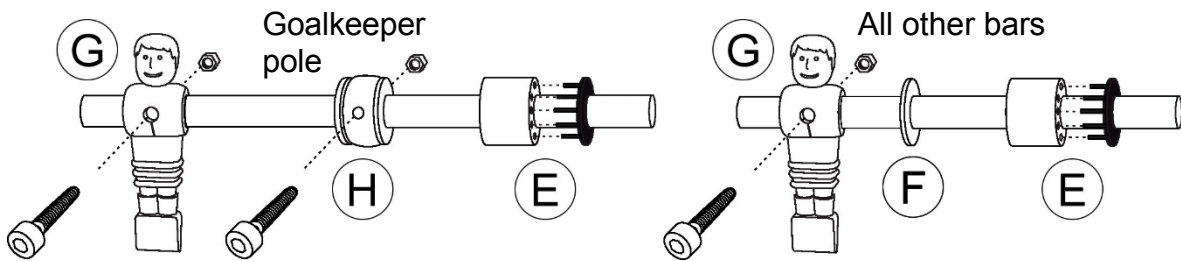
(Note: This hole is only required for old-style screwed wooden handles)

We recommend wiping the bars with a damp cloth. The film of water makes it easier to fit the handle and the figures in the next step.

Push the handle as far as possible onto this end of the pole and push it vertically onto solid ground several times as shown. Once the water film has evaporated, the handle will be firmly in place.



The rods can now be inserted into the body. The positions of the rods, game pieces, adjusting rings and rubber buffers with insert disk can be seen in the following illustrations.



Finally, fit the two door counters (J).